

**TOP ONE TECH LIMITED**

**15.6" Open Frame PCAP Touch Monitor**

Model: TOT156UCA001

Part number: TOT156K1C001



Top One Tech's 15.6" Capacitive Touch Monitor have a long-lasting product cycle because the enclosure is controlled by Top One Tech's specifications. Future panel improvements are therefore possible without external changes. The TOT156UCA001 integrate with the Top One Tech's PCAP technology touchscreen.

## Features

- Patented IP65 Front with silicon seal
- Long lasting product cycle-enclosure controlled by Top One Tech specifications
- LED backlight backed Panels in Grade A quality
- High quality panel with high brightness, high contrast ratio and broad viewing angle
- Multiple mounting options including VESA mount, horizontal or vertical bracket-mount
- Compact and slim profile for easy integration from side, top and bottom
- Strengthened cover glass
- Anti-glare treatment (optional)
- 10-finger-multi touch capacitive touch
- Screwable connection for rugged environments

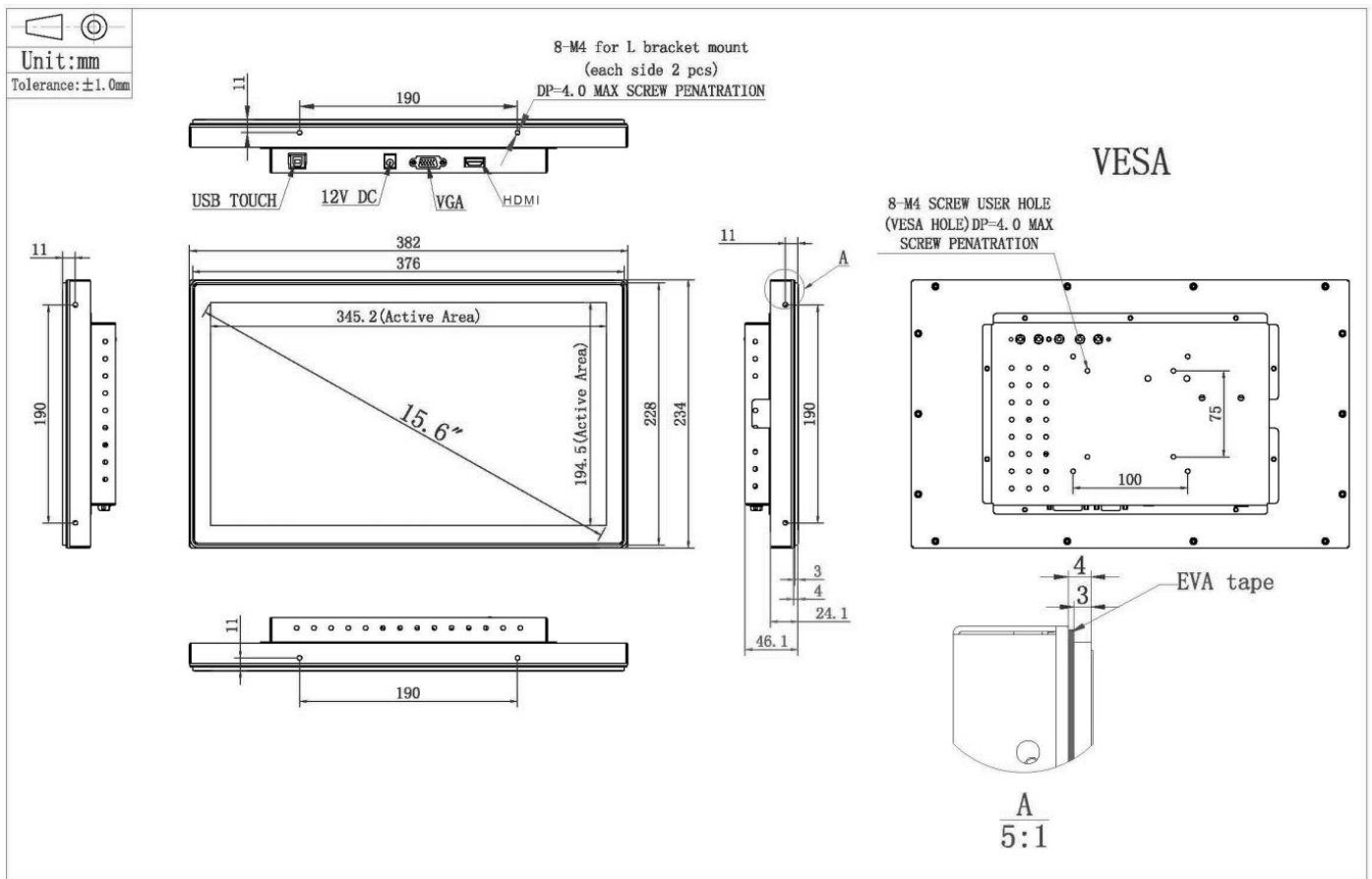
## Specification

<b>Model No.</b>	TOT156UCA001	
<b>IP rated front panel</b>	IP65	
<b>Screen diagonal (Inch):</b>	15.6	
<b>Display active screen size (mm)</b>	345.2x194.5	
<b>Aspect ratio:</b>	16:9	
<b>Physical resolution:</b>	1920*1080 @60Hz	
<b>Colours displayed:</b>	16.7M	
<b>Brightness (cd/m2):</b>	340	
<b>Contrast:</b>	650:1	
<b>Typical reaction time Tr/ Tf :</b>	10/5 (ms)	
<b>Viewing Angle (Typ.at CR&gt;10))</b>	Horizontal(left/right)	70°/70°
	Vertical(up/down)	60°/60°
<b>Backlight / Backlight Lifetime (hours):</b>	LED / 30,000	
<b>Touch Connector</b>	USB	
<b>Touch Panel Drivers</b>	Windows; Linux; Mac; Android	
<b>Operating Temperature</b>	0 ~ +50(° C)	
<b>Humidity Range (RH)</b>	10%-90%	
<b>Net weight (kg)</b>	2.7	
<b>Gross weight (kg)</b>	Aluminum	
<b>Housing (mm) LxWxH</b>	382x234x46.1	
<b>Power Consumption (W)</b>	15	
<b>Mounting</b>	VESA 100/ VESA 75	

<b>Power Supply</b>	100-240V ACDC active switch- ing; 12V DC-Out
<b>Stand-By Consumption (W)</b>	<1
<b>Video input</b>	1x VGA
	1x HDMI
<b>Touch Connector</b>	1x USB
<b>Connectors</b>	1x 12V DC-IN
<b>Agency approvals</b>	ETL, FCC,CE,RoHS, CCC,CB
<b>Regular Warranty</b>	1year

**NOTE:**The display SPEC. will change follow the relevant LCD panel brand and model

## Mechanical Dimensions



## Accessories

**Power Cable:** A North American power cable or an European power cable is included according to the end user's area.

**Power Supply Brick:** A power supply brick is included.

**Touch/Video/DVI Cables:** Detachable serial or USB touch cable, video cable and DVI cable are included

**L-brackets:** Four standard L-brackets are included.

## Typical Application

Gaming/Casino Systems  
Outdoor and indoor Kiosks  
Entertainment  
Transport and Ticketing  
Hospitality  
Banking  
Customized Solutions

## How to contact us

TOP ONE TECH LIMITED

Mobile Phone : (+86) 13631610695

Tel: 0086-0755-21070641

Whatsapp/Wechat : +8613631610695

Email : sales@toponetech.cn

Skype : elsieyu-sz@hotmail.com

Office in China : Room 1517, Taiyangneng Guigu Building Zhongxing Xiaoqu, Yunfeng Road No.3  
Gaofeng shequ, Longhua District, Shenzhen, China

Facilities in China : No. 2, Guihua Jiayi Industrial district, Guanlan, Longhua, Shenzhen, China 518110