
Top One Tech LIMITED

22" LCD Open frame SAW Touch Monitor

(the Dust-proof Type)

Model: TOT220USW001

Part number:TOT220K1S001



Top One Tech's 22" LCD touch monitors have a long-lasting product cycle because the enclosure is controlled by Top One Tech's specifications. Future panel improvements are therefore possible without external changes. The TOT220USW001 integrate with the Top One Tech's SAW technology touchscreen.

Features

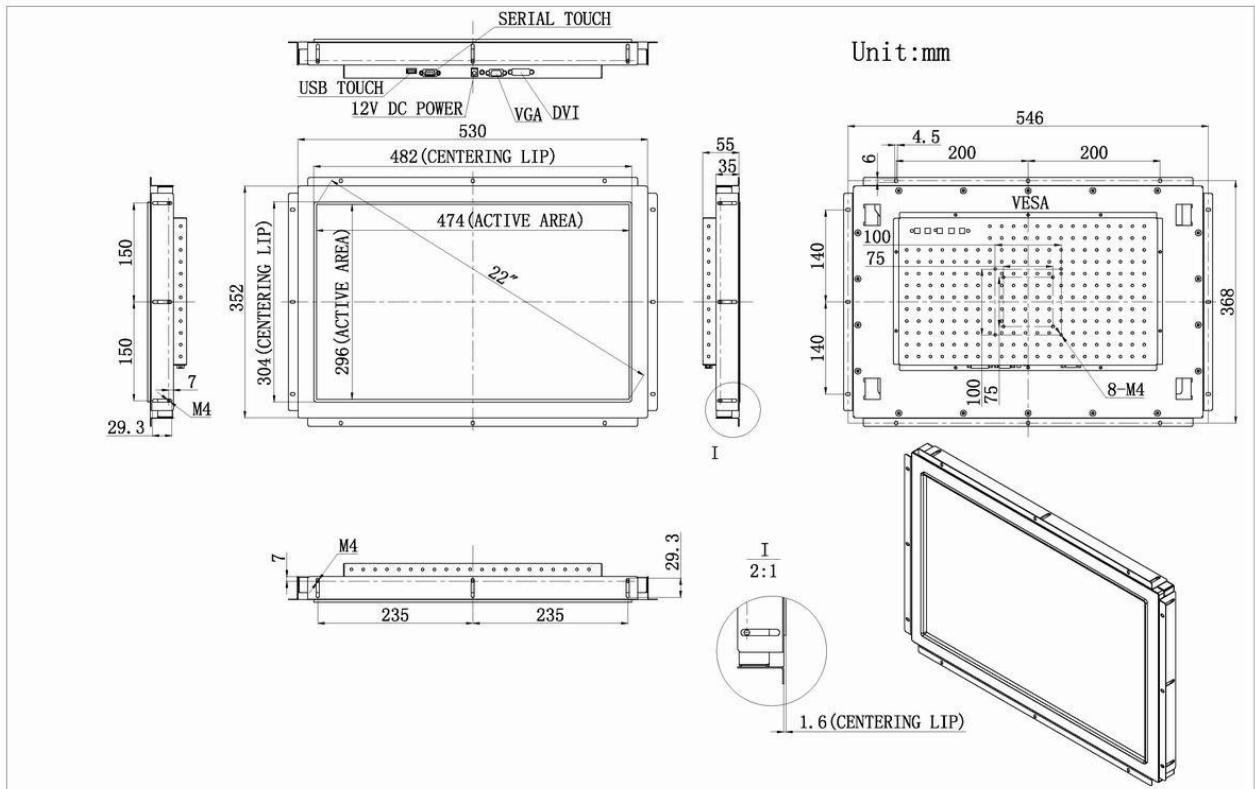
- Long lasting product cycle-enclosure controlled by Top One Tech specifications
- Future generation panels phased-in without external changes
- High quality panel with high brightness, high contrast ratio and broad viewing angle
- Multiple mounting options including rear-mount ,VESA mount, horizontal or vertical bracket-mount
- Top One Tech's SAW technology on pure glass for the ultimate in image quality
- Dual USB and RS232 touch interface
- Worldwide agency approvals

Specification

Model No.	TOT220USW001	
Series	OT	
Structure	Metal-cased Openframe and ABS Plastic Front Bezel with LIP1.6	
LCD Type	Active matrix TFT-LCD	
Display Size	22 " (diagonal)	
Active Area	473.8 mm×296.1 mm	
Suggested Resolution	1680 x 1050 @ 60 Hz	
Support Colors	16.7M	
Brightness(Typ.)	Pure LCD Panel	300cd/m ²
	With SAW Glass Sensor	275cd/m ²
Response Time(Typ.)	5ms	
Viewing Angle (Typ.at CR>10)	Horizontal(left/right)	85°/85°
	Vertical(up/down)	80°/80°
Contrast Ratio(Typ.)	1000:1	
Video Input	1. Analog RGB 2. DVI	

Video Signal Input Connector	Mini D-Sub 15-pin VGA and DVI-D	
Frequency (H/V)	30~80KHz / 60~75Hz	
Power Supply	Type: External brick Input (line) voltage: 100-240 VAC, 50-60 Hz Output voltage/current: 12 volts at 4 amps max	
Environment	Operating Temp.	0~50°C
	Storage Temp.	-20~60°C
	Operating RH:	20%~80%
	Storage RH:	10%~90%
MTBF	50,000 Hours	
LCD Back light Life(Typ.)	50,000 Hours	
Weight (N.W/G.W)	8Kg /11Kg (Approx.)	
Power Consumption	75W Max.	
Mount Interface	1)VESA 75mm and 100mm 2)Mount bracket, horizontal or vertical (Standard mount brackets are supplied)	
OSD Control	Buttons	AUTO,+,POWER,-,MENU
	Function	Brightness, Contrast Ratio, Auto-adjust, Phase, Clock, H/V Location, Languages, Function, Reset
Touch screen Type	Top One Tech 22" SAW 6MM thickness of touch screen sensor ,anti-glare is optional	
Touch System Interface	USB and RS232	
Certificates	ETL ,FCC,CE,RoHS	
Warranty	1 year	

Mechanical Drawing



Accessories

Power Cable: A North American power cable or an European power cable is included according to the end user's area.


Power Supply Brick: A power supply brick is included.

Touch/Video/DVI Cables: Detachable serial or USB touch cable, video cable and DVI cable are included

L-brackets: Four standard L-brackets are included.

Typical Application

Gaming/Casino Systems Outdoor
and indoor Kiosks Entertainment
Transport and Ticketing
Hospitality
Banking
Customised Solutions

 *How to contact us*

TOP ONE TECH LIMITED (HK)

TOP ONE TECH LIMITED

Mobile Phone : (+86)13631610695

Tel: 0086-0755-21070641

Whatsapp/Wechat :+8613631610695

Email : sales@toponetech.cn

Skype : elsieyu-sz@hotmail.com

Office in China : Room 512 & 517, Taiyangneng Guigu Building Zhongxing Xiaoqu, Yunfeng Road
No.3 Gaofeng shequ, Longhua District, Shenzhen, China

Facilities in China : No. 2, Guihua Jiayi Industrial district, Guanlan, Longhua, Shenzhen, China 51804