
TOP ONE TECH LIMITED

23.8" LCD Open frame PCAP Touch Monitor

(with External Acrylic Led Bar)

Model: TOT238UCA006

Part number:TOT238L1C301



Top One Tech's 23.8" open frame LCD touch monitors have a long-lasting product cycle because the enclosure is controlled by Top One Tech's specifications. Future panel improvements are therefore possible without external changes. The TOT238UCA006 integrate with the Top One Tech's PCAP technology touchscreen.

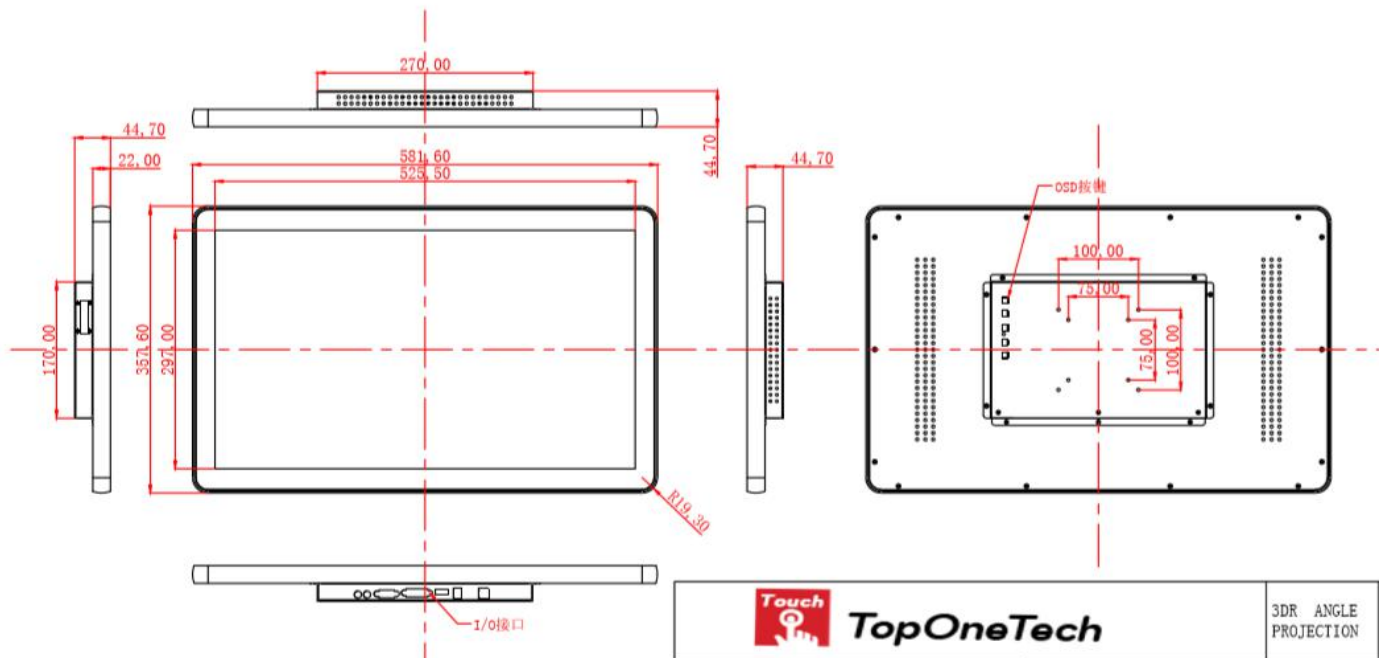
Features

- Bezel seal standard: NEMA3 and IEC IP65
- Long lasting product cycle-enclosure controlled by Top One Tech specifications
- Future generation panels phased-in without external changes
- High quality panel with high brightness , high contrast ratio and broad viewing angle
- Multiple mounting options including VESA mount, horizontal or vertical bracket-mount
- Compact and slim profile for easy integration from side, top and bottom
- Top One Tech's PCAP technology on pure glass for the ultimate in image quality
- Finger or gloved hand operation
- USB touch interface port
- VGA/DVI/HDMI input video format
- Worldwide agency approvals

Specification

Product name	23.8" PCAP Touch Monitor	Touch Panel	
Modle number	TOT238UCA006	Touch Technology	Projected Capacitive 10-point Multitouch
Anti-glare LCD Panel		Touch Connector	USB or RS232
IP rated front panel	IP65	Touch Panel Drivers	Windows; Linux; Mac; Android
Screen diagonal (Inch/cm):	23.8/54.69	Touch Life (Contacts)	Unlimited
Display active screen size:	525.5×297.0	Surface Hardness	7H
Aspect ratio:	16:9		
Physical resolution:	1920×1080	Operation / Mechanical	
Maximum showable resolution (TPCs: external):	1920×1200	Operating Temperature	-10 ~ +65 (°C)
Colours displayed:	16.7M	Humidity Range (RH)	10%-90%
Brightness (cd/m2):	250	Net weight (kg)	10
Contrast:	1000:1	Gross weight (kg)	13 (incl. cartonage)
Typical reaction time Tr/ Tf :	14 (Typ.)(G to G) ms	Housing material	Acrylic
Visual Angle horizontal/vertical :	89/89/89/89 (Typ.)(CR≥10)	Housing (cm) LxWxH	581*357.6*44.7

Backlight / Backlight Lifetime (hours):	LED / 40,000	Mounting	VESA 100/ VESA 75
External Connectors		Power	
Video	1x VGA	Power Indicator	Green LED
	1x DVI-D	Power Supply	100-240V ACDC active switching; 12V DC-Out
	1x HDMI 1.1	Working Power (V)	12
Audio	1x PC-Audio	Power Consumption (W)	28
	1x Earphone-Out	Stand-By Consumption (W)	<1
Touch Connector	1x USB 1*RS232		
Connectors	1x 12V DC-IN		



Accessories

Power Cable: A North American power cable or an European power cable is included according to the end user's area.

Power Supply Brick: A power supply brick is included.

Touch/Video/DVI Cables: Detachable serial or USB touch cable, video cable or DVI or HDMI cable are included

L-brackets: Four standard L-brackets are included (optional by different size).

Typical Application

Gaming/Casino Systems
Outdoor and indoor Kiosks
Entertainment
Transport and Ticketing
Hospitality
Banking
Customized Solutions

How to contact us

TOP ONE TECH LIMITED

Mobile Phone : (+86)13631610695

Tel: 0086-0755-21070641

Whatsapp/Wechat :+8613631610695

Email : sales@toponetech.cn

Skype : elsieyu-sz@hotmail.com

Office in China : Room 512 & 517, Taiyangneng Guigu Building Zhongxing Xiaoqu, Yunfeng Road
No.3 Gaofeng shequ, Longhua District, Shenzhen, China

Facilities in China : No. 2, Guihua Jiayi Industrial district, Guanlan, Longhua, Shenzhen, China 51804