

# TOP ONE TECH LIMITED

## 43" PCAP Open frame Touch Monitor

Model NO.:TOT430UCA004

Part NO.:TOT430C2C302



Top One Tech’s 43" open frame LCD touch monitors have a long-lasting product cycle because the enclosure is controlled by Top One Tech’s specifications. Future panel improvements are therefore possible without external changes. The TOT430UCA004 integrate with the Top One Tech’s PCAP technology touchscreen.

## Features

- Long lasting product cycle-enclosure controlled by Top One Tech’s specifications
- 4K Industrial LCD-panel with back light LED
- Strengthened cover glass
- Multiple mounting options including VESA mount, horizontal or vertical bracket-mount
- Compact and slim profile for easy integration from side, top and bottom
- Top One Tech’s PCAP technology on pure glass for the ultimate in image quality
- Finger or gloved hand operation
- 10-finger-multi touch capacitive touch
- Driver support for all the current operating systems
- Screw able connection for rugged environments

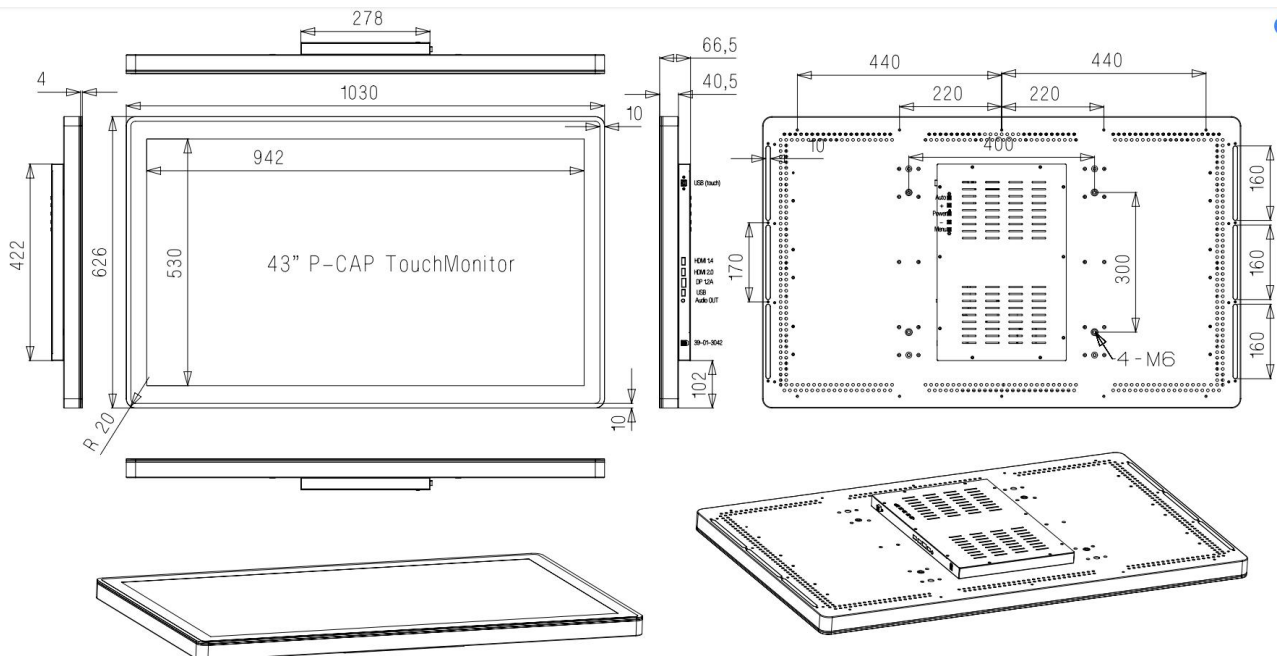
## Specification

<b>Model number</b>	TOT430UCA004	
<b>Display active screen size:</b>	941cmx529cm	
<b>Aspect ratio:</b>	16:9	
<b>Suggested Resolution</b>	3840×2160	
<b>Support Colors</b>	1.07B	
<b>Brightness (Typ.)</b>	400cd/m2	
<b>Typical reaction time Tr/ Tf :</b>	6/6 (ms)	
<b>Viewing Angle (Typ. at CR&gt; 10)</b>	Horizontal (left/right)	89°/89°
	Vertical (up/down)	89°/89°
<b>Contrast Ratio (Typ.)</b>	1100:1	
<b>Video Input</b>	HDMI*2 and DP	
<b>Mounting</b>	VESA 400*300	
<b>Power Supply</b>	100-240V AC DC active switch- ing; 24V	
<b>Surface Hardness</b>	7H	
	Operating Temp.	0~50°C

<b>Environment</b>	Storage Temp.	-20~60°C
	Operating RH	10%~90%
	Storage RH	10%~90%
<b>Backlight / Backlight Lifetime (hours):</b>	LED / 40,000	
<b>Touch screen Type</b>	Projected Capacitive 10-point Multi touch	
<b>Audio</b>	1x PC-Audio	
	1x Earphone-Out	
<b>Touch Connector</b>	1x USB	
<b>Working Power (V)</b>	24	
<b>Gross weight (kg)</b>	37kg (incl. carton age)	
<b>Net weight (kg)</b>	31kg	
<b>Power Consumption (W)</b>	85	
<b>Stand-By Consumption (W)</b>	<1	
<b>Touch Panel Drivers</b>	Windows; Linux; Mac; Android	
<b>Touch Life (Contacts)</b>	Unlimited	
<b>Agency Approval</b>	FCC, CE,ERP, RoHS	
<b>Regular Warranty</b>	1 Year	

**NOTE: The display SPEC. will change follow the relevant LCD panel brand and model**

## Mechanical Dimensions



## Accessories

**Power Cable:** A North American power cable or an European power cable is included according to the end user's area. (option by different model)

**Power Supply Brick:** A power supply brick is included. (option by different model)

**Touch/Video/DVI Cables:** Detachable serial or USB touch cable , video cable or DVI cable are included (option by different model)

**L-brackets:** Four standard L-brackets are included (option by different model)

## Typical Application

Gaming/Casino Systems

Outdoor and indoor Kiosks

Entertainment

Transport and Ticketing Hospitality

Banking

Customized Solutions

## How to contact us

TOP ONE TECH LIMITED

Mobile Phone : (+86) 13631610695

Tel: 0086-0755-21070641

Whatsapp/Wechat : +8613631610695

Email : sales@toponetech.cn

Skype : elsieyu-sz@hotmail.com

Office in China : Room 1517, Taiyangneng Guigu Building Zhongxing Xiaoqu, Yunfeng Road No.3  
Gaofeng shequ, Longhua District, Shenzhen, China

Facilities in China : No. 2, Guihua Jiayi Industrial district, Guanlan, Longhua, Shenzhen, China 518110